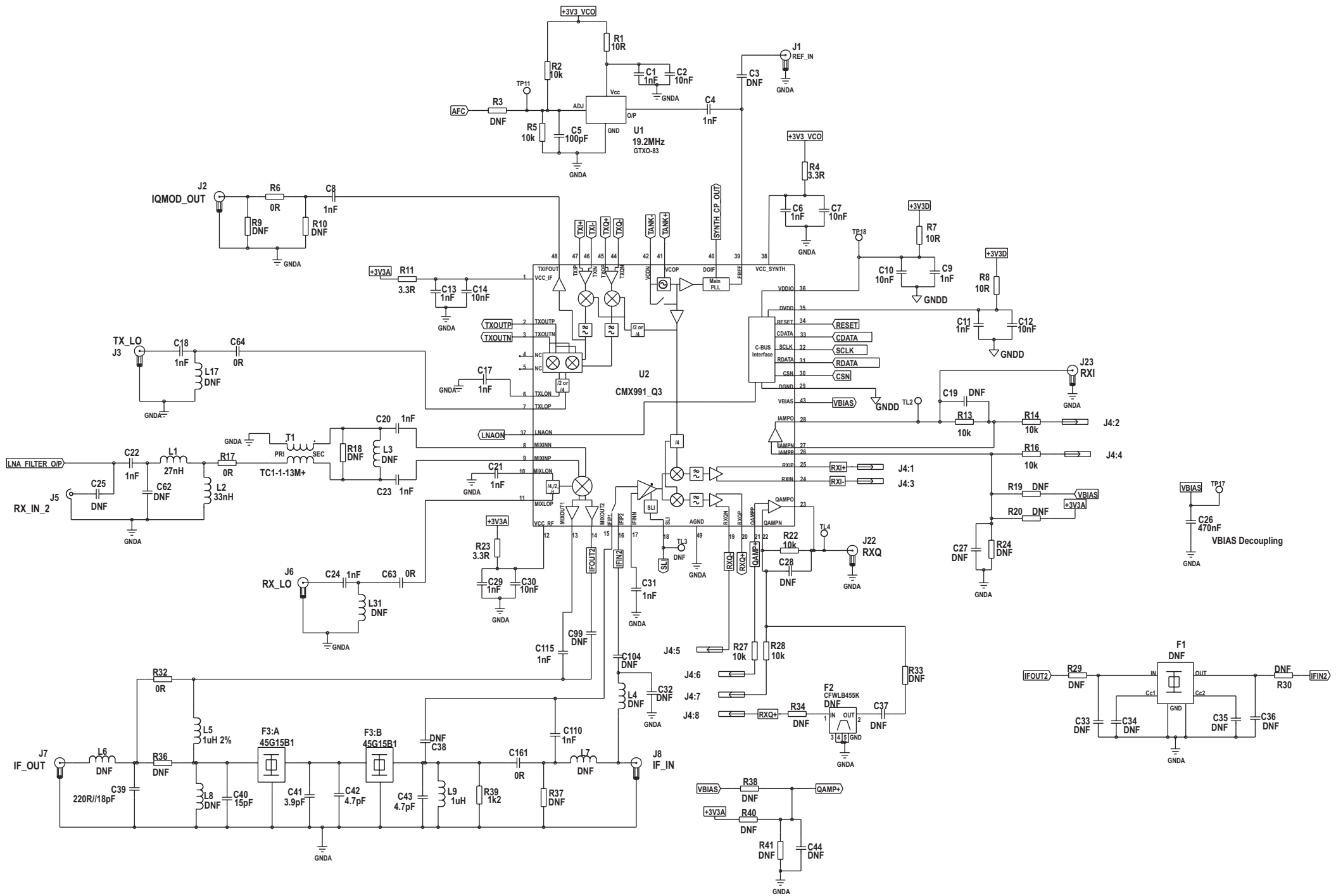


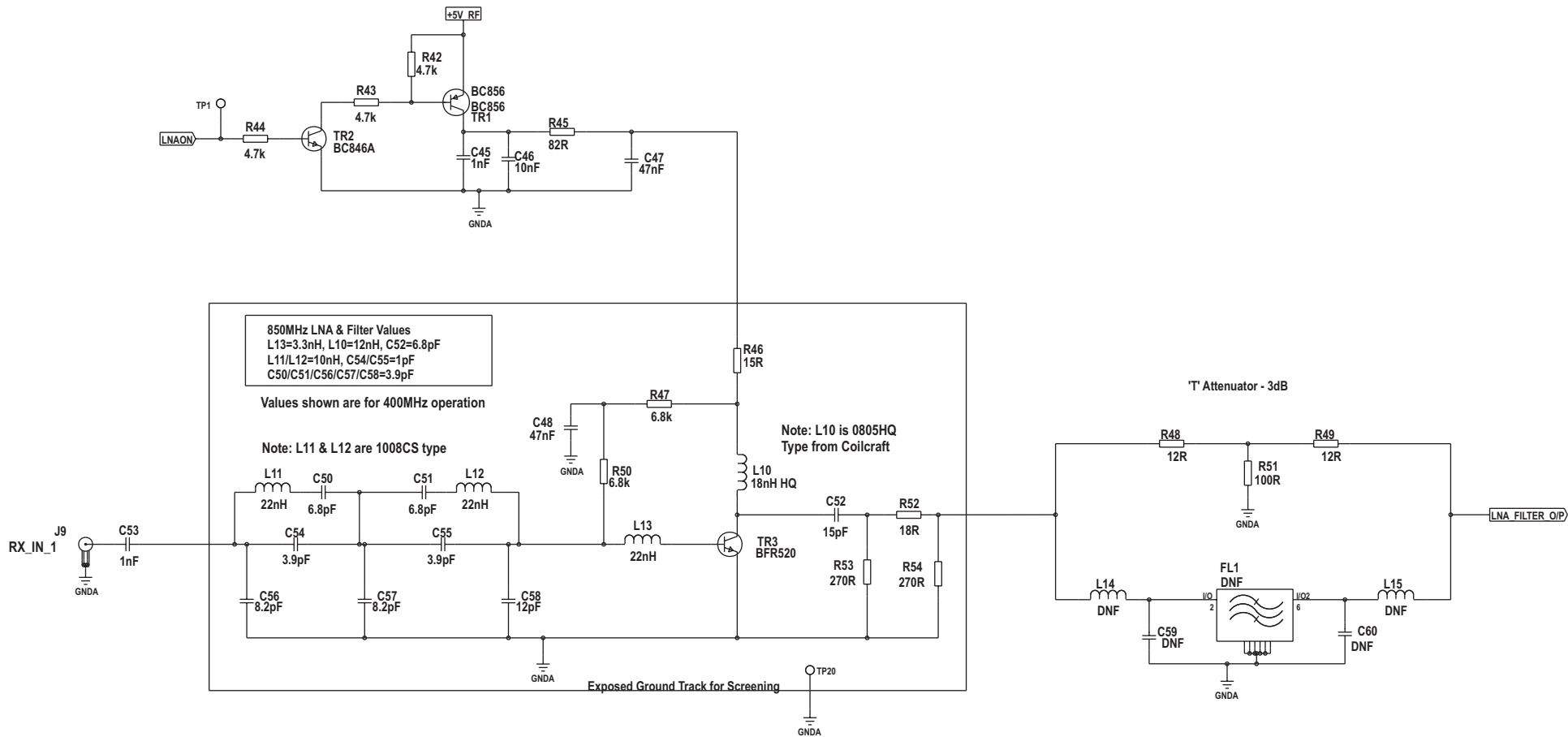


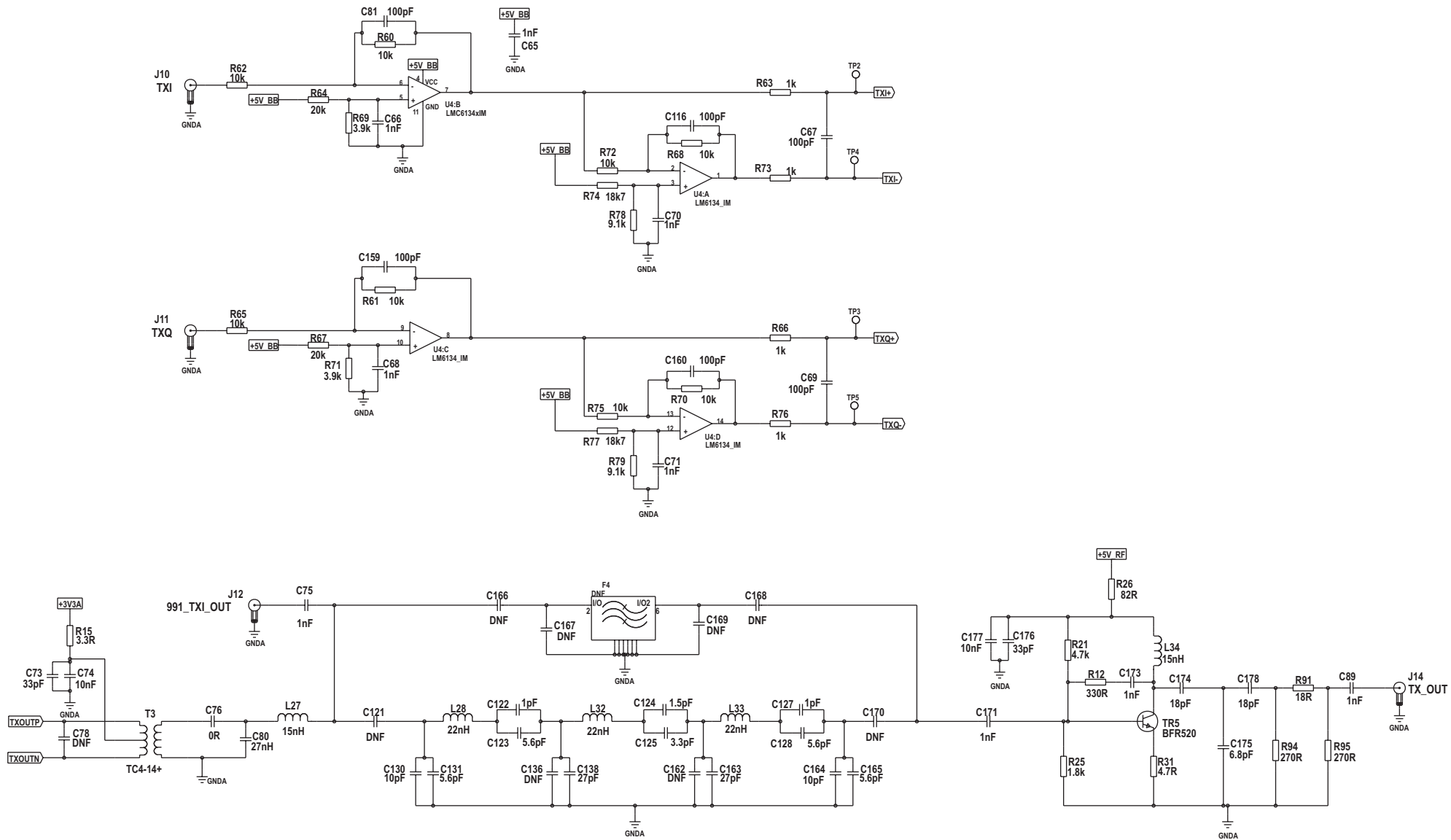
**CML Microcircuits**

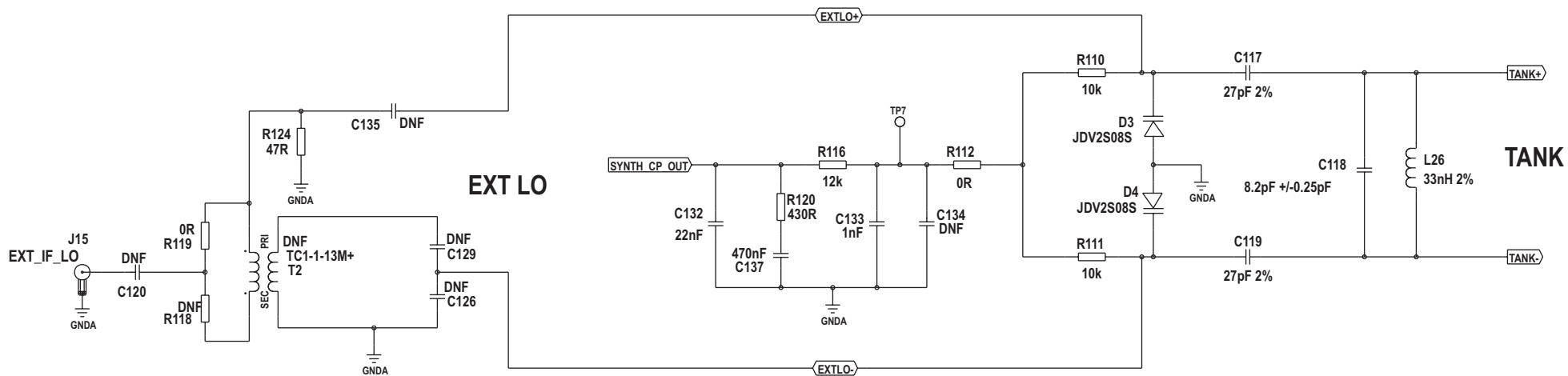
*COMMUNICATION SEMICONDUCTORS*

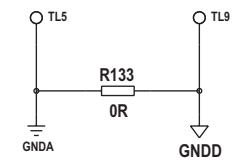
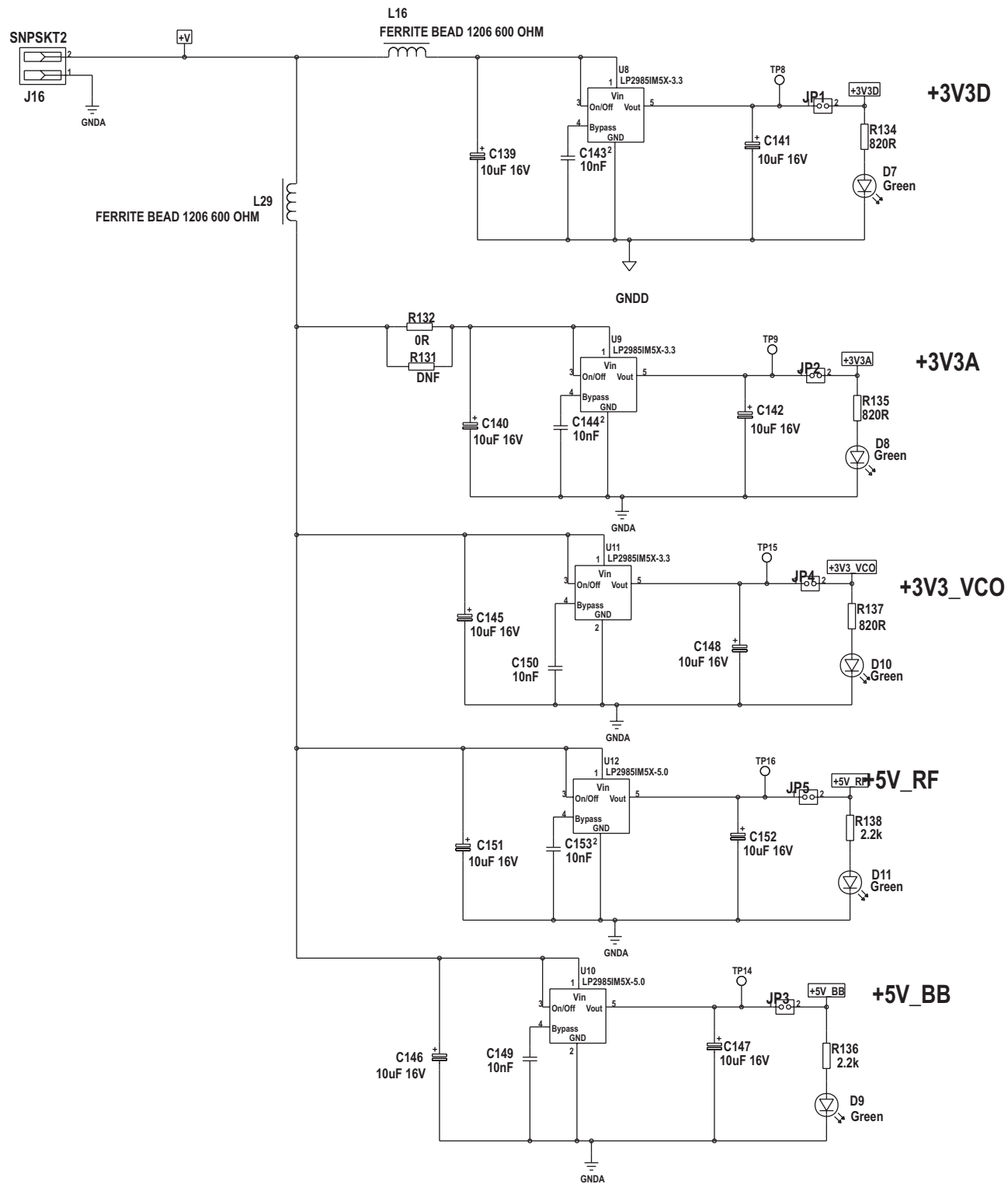
**High Resolution  
Circuit Diagrams  
for  
EV9910B**



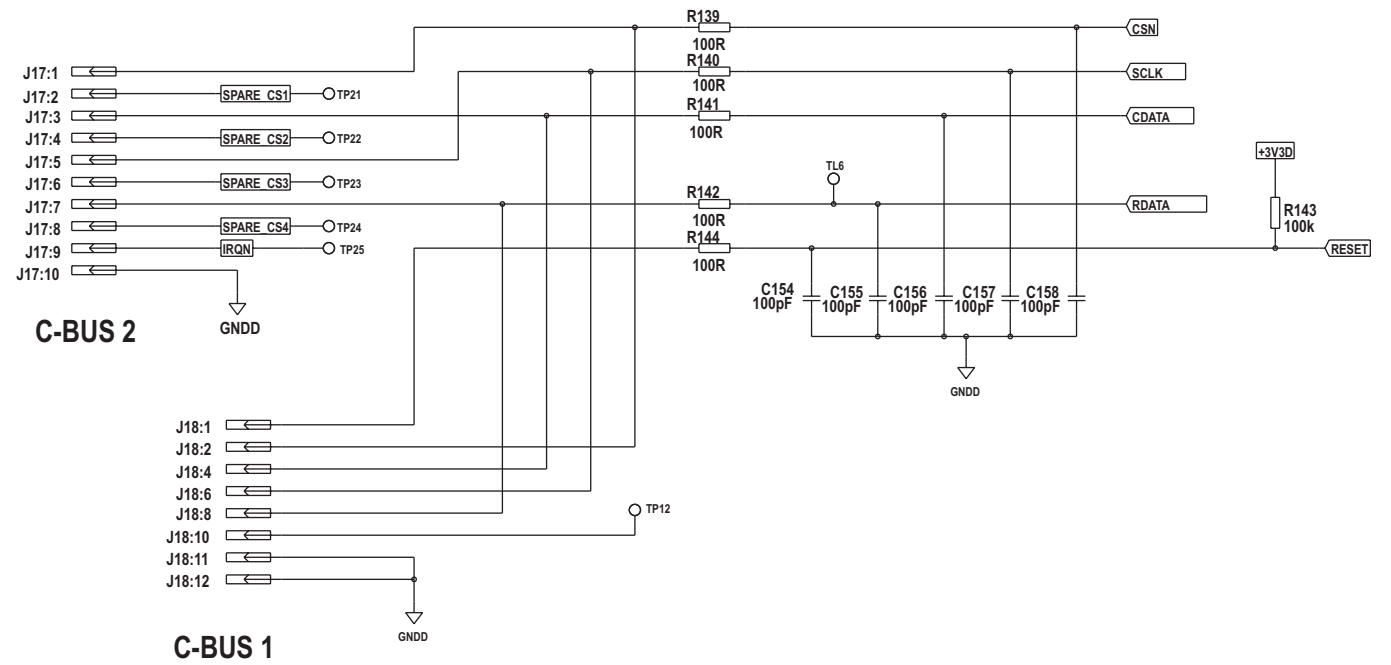
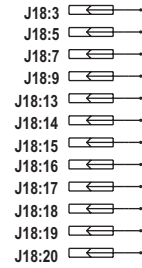








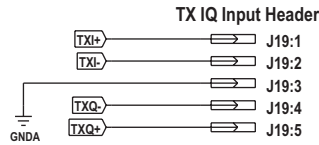
**SPARE PINS**



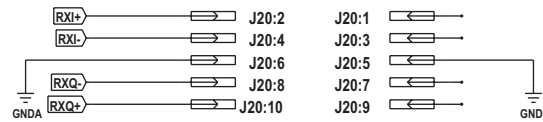
**CMX981 Connections**

**J19 connections**

- Pin 1 TXI+
- Pin 2 TXI-
- Pin 3 GNDA
- Pin 4 TXO-
- Pin 5 TXO+



**RX IQ Output Header**



**CMX981 AUXDAC/ADC**

